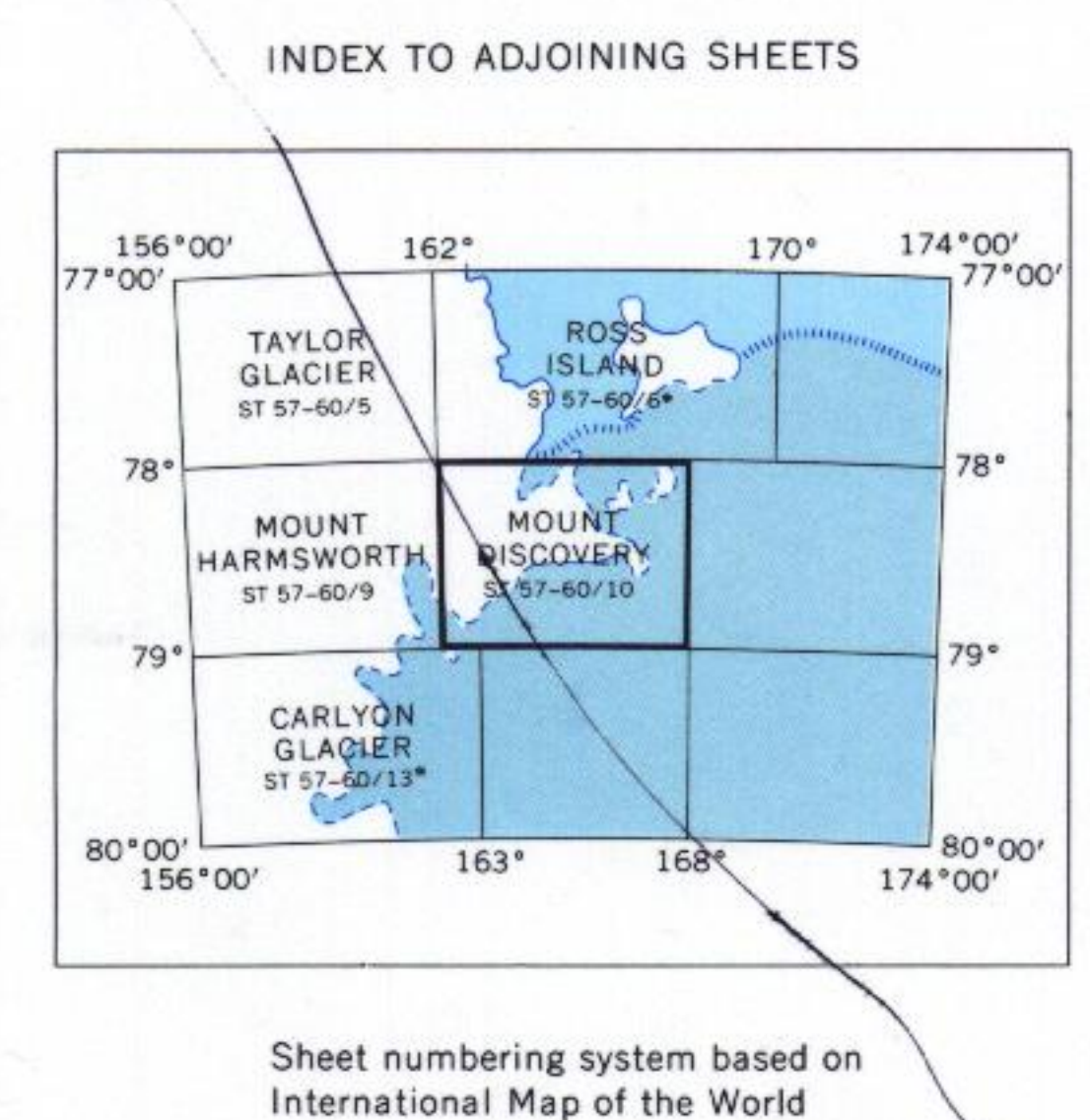
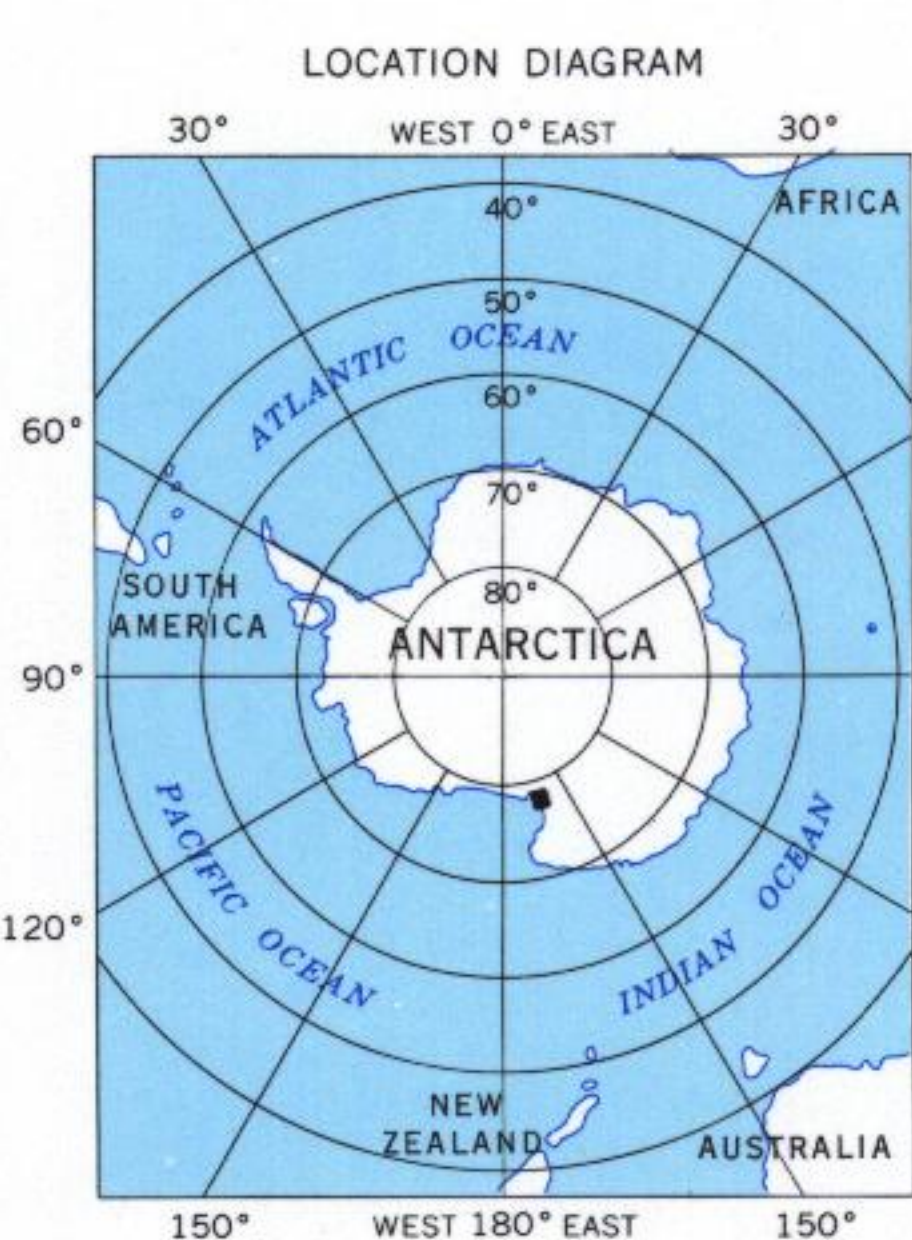
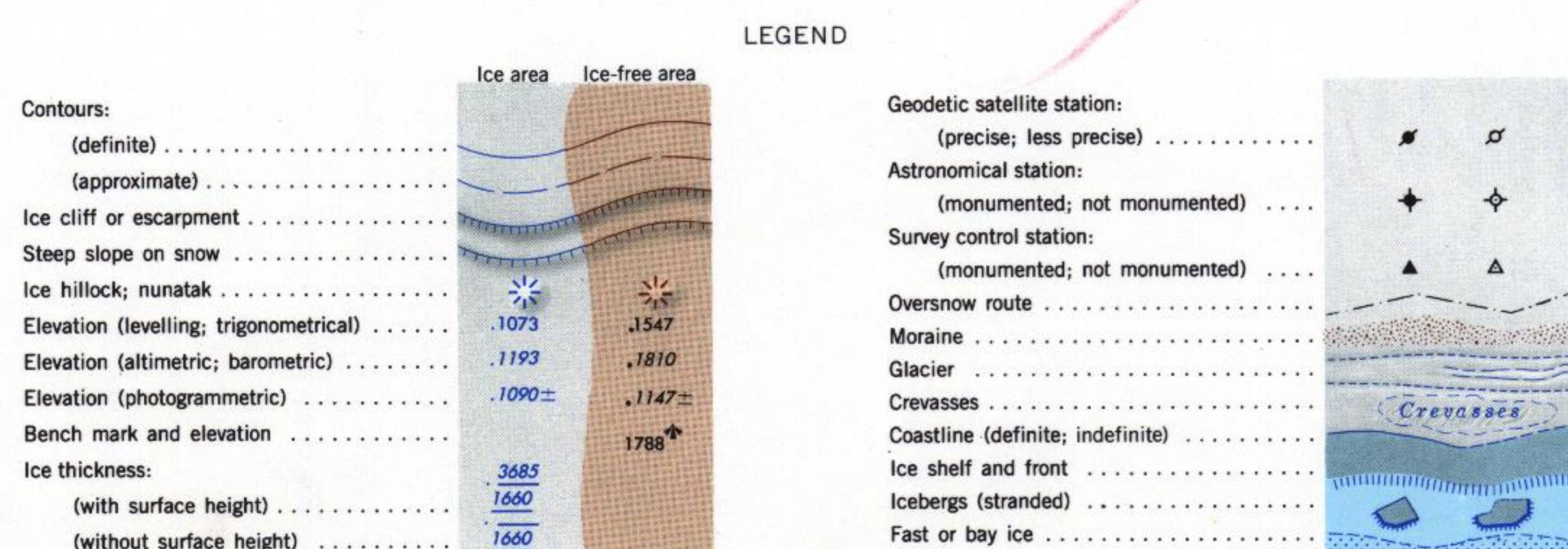
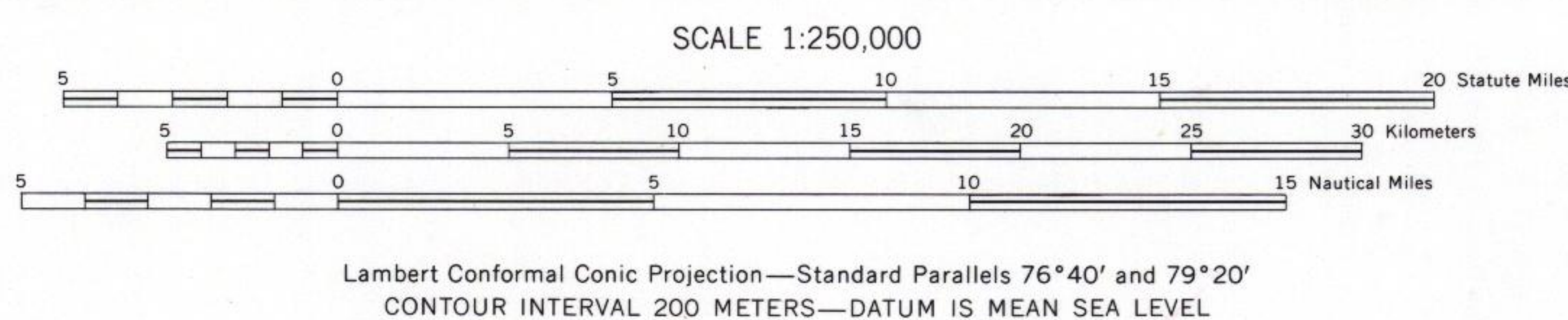
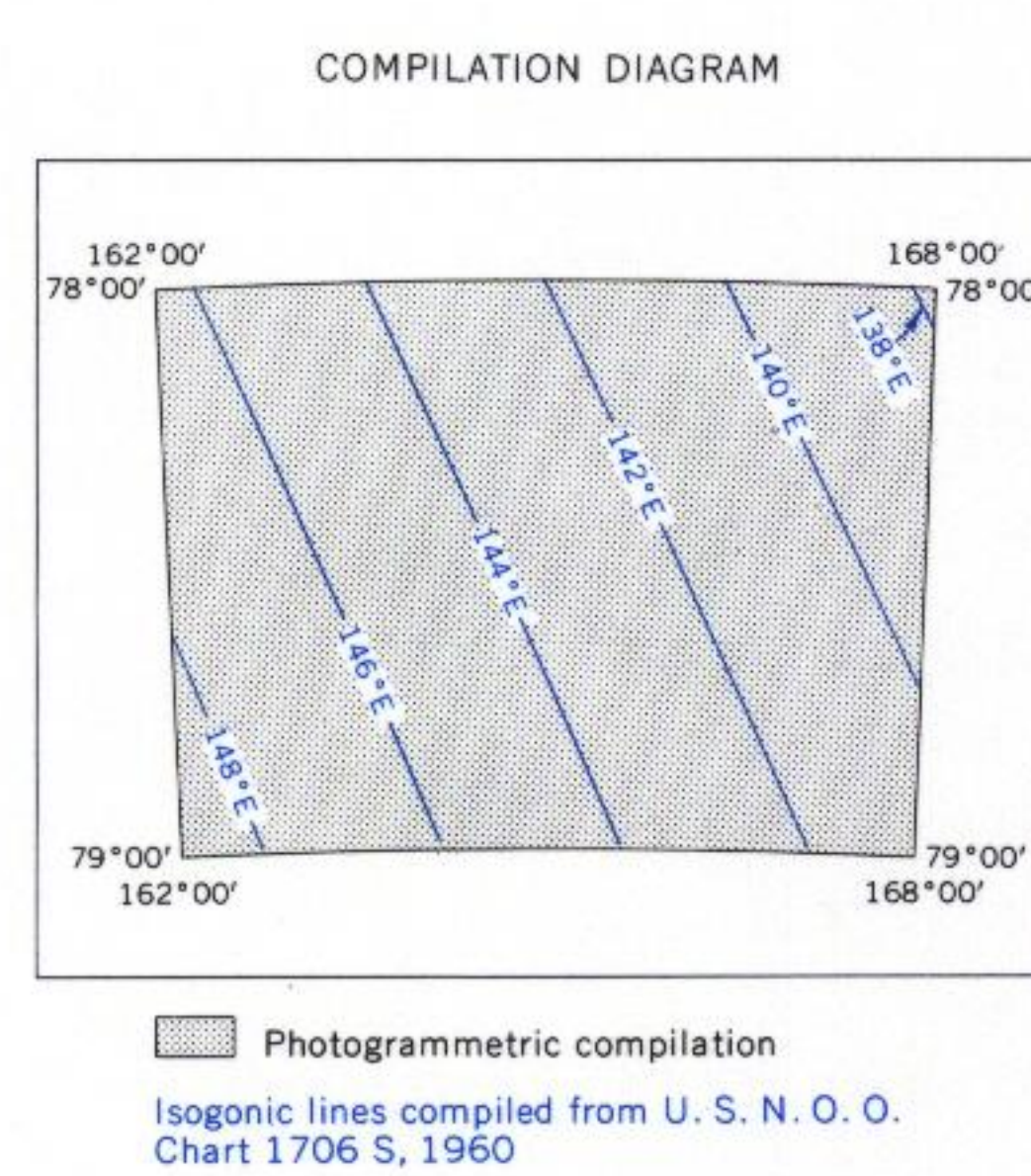




Mapped, edited, and published by the U. S. Geological Survey in cooperation with the National Science Foundation  
Control by U. S. Geological Survey  
Compiled in 1962 from U. S. Navy trimetrogon aerial photographs taken 1956-1959  
Names approved by U. S. Board on Geographic Names  
Absence of the crevasse symbol does not necessarily indicate a crevasse-free area



MOUNT DISCOVERY  
ANTARCTICA  
ST 57-60/10  
78192-S1-TR-250  
REVISED 1988