

ELLSWORTH

HERITAGE MOUNTAINS

HOLLICK-KENYON

WEST ANTARCTICA

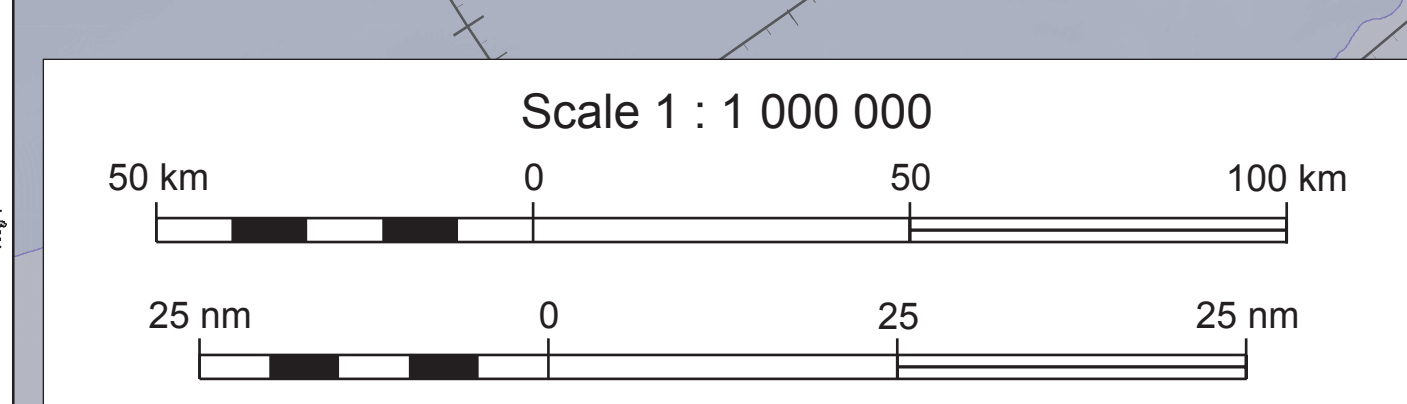
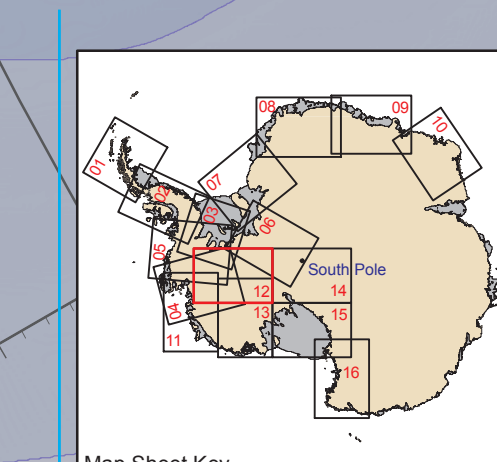
THIEL MOUNTAINS

WHITMORE MOUNTAINS

OHIO RANGE

Plateau

Marie Byrd Land



pgc AIR OPERATIONS PLANNING MAP SERIES
MAP 12: Ellsworth Mountains
 Version 1: October 2016 ISBN: 978-0-948277-46-7
 Scale 1 : 1 000 000 Projection: Polar Stereographic
 Spheroid: WGS84 Latitude of true scale: 71°S

~ Contours (interval 1000 ft)	● All year scientific station	○ Coastline
• Surveyed heights (feet)	● Summer only stations	○ Rock outcrop
• Estimated spot heights (feet)	■ Camp / Refuge / Abandoned Station	○ Ice shelf
• Highest point on map (feet)	■ Camp (temporary)	○ ASPA (with number) or bird colony
NOT A SAFETY ALTITUDE	✈ Aircraft operations facility	● Bird colony
— 180 nm grid		

Warnings:
 This map is not an air navigation chart and it is not intended for in-flight navigation.
 Topographic details from the SCAR Antarctic Digital Database (ADD) Version 5.0 (2014). Topographic data are of variable accuracy, see notes at: www.add.scar.org/term/399
 Spot heights do not always denote the highest point of the feature. They should only be used as an indication of topographic relief.
 Contours are derived from a variety of sources of variable accuracy. They should only be used as an indication of topographic relief.
 Bird colony information is based on limited available data - absence of a bird colony symbol does not indicate absence of birds.
 Facilities derived from COMNAP Antarctic facilities list: www.comnap.aq
 Place names derived from the USCS BCN: www.geonames.usgs.gov
 Compiled by M. Clement, 2016. Polar Geospacial Center